

T6050



T6050
Enclosed Pedestal



T6050
Open Pedestal

Line Printer Reliability at an entry-level price

The T6050 line impact dot matrix printer from TallyGenicom® combines the speed and power of line printing with the flexibility of a desktop dot matrix printer.

Printing at 500 lines per minute, the T6050 is the most reliable and economical solution for high volume printing of long-run data processing printouts, management reports, mailings or forms processing.

Stored-energy hammer bank technology in the T6050 provides consistent print quality, whether printing single-part or six-part forms, while using less electrical energy than other line impact technologies.

Excellent Features

- 500 lines per minute; unlimited duty cycle
- Mission critical durability
- Available in Tabletop, Enclosed Pedestal and Quick Access versions

Outstanding Forms Handling

- Straight paper path; up to 6-part forms
- Paper motion and paper out detection

Consistent Print Quality

- Quick-change, clean-hands, long-life ribbon cartridges
- Stored-energy hammer bank technology

Exceptional Connectivity

- Twinax, Coax, Ethernet, IPDS and IPDS over TCP/IP

Superior Compatibility

- Wide range of standard emulations for legacy systems/PC/LAN compatible
- QMS® Code V™ and Printronix® Graphics Language (PGL) compatibility for industrial graphics and bar codes

Consumables

Ink Jet Printers

Laser Printers

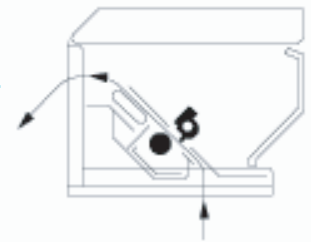
Line Matrix Printers

Serial Matrix Printers

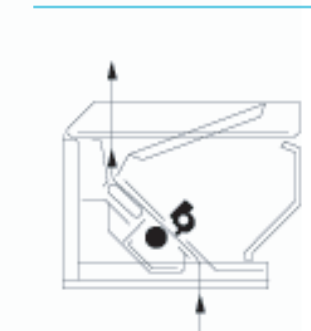
Features & Specifications

Print Technology	Line impact dot matrix
Print Speed	Text: 500 lines per minute, draft; 375 lines per minute, data processing; graphics: 50 inches per minute
Workload	144,000 pages per month
Acoustic Level	55 dB(A)
Character Printing Modes	Constant density fonts; enhanced fonts
Character Sets	27 unique character sets with 35 language substitutions
Characters Per Inch	5, 6*, 6.7*, 7.5*, 8.3*, 8.6*, 10, 12, 13.3*, 15, 16.7*, 17.1, 20 cpi
Lines Per Inch	1.5, 2, 3, 4, 5, 6, 8, 9, 10 & 12 (plus variable line spacing)
Fonts	Draft, Data processing, Courier, Gothic, OCR A & B (ANSI & DIN)
Character Styles	Bold, italic, superscript, subscript, underline, overline, and strikethrough
Graphics Resolution	Maximum: 240 x 288 (H x V)
Graphics Compatibility	Tally® Industrial Graphics; QMS® CODE V™ Version 2; Printronix® PGL
Bar Codes	Code 39, Code 128, Interleaved 2 of 5, UPC-A, UPC-E, EAN 8, EAN 13, EAN 128, Codabar, Identicon 2 of 5, MSI, POSTNET, PDF-417
Control Panel	Alphanumeric display (six languages) provides complete access to printer operation, configuration, calibration and test features. Includes lockout feature.
Paper Handling	Straight paper path. Two adjustable pull tractors provide low profile design, with easy paper loading from the front. Paper motion detection and alarm. Paper out detection and alarm. Forms position retained in nonvolatile storage. Quick Forms Access models with easy top access to forms and labels (no paper motion detection).
Print Media	Up to 6-part forms, forms thickness maximum .025", weight: 15 - 100 lb. stock
Paper Sizes	Width: 4" - 16", forms length: 1 - 255 lines
Paper Advance	Slew Speed: 16 inches per second (max.)
Standard Interfaces	RS-232 Serial (up to 38.4K Baud) and IEEE-1284 compliant Centronics Parallel are both standard (hot I/Os with active port selected automatically).
Standard Emulations	Tally MT660, Printronix® P600 and P6000, HP 2564C, DEC® LG01, Epson® FX1180, Genicom® ANSI & IBM® Proprinter III XL
Ribbon	Easy-load, clean-hands cartridge, fabric-25, 50 & 150 million characters
Physical (H x W x D)	Tabletop: 12.7" x 31.5" x 23.1", Shipping weight: 110 lbs.; Tabletop on Stand: 39.4" x 31.5" x 28.7", Shipping weight: 150 lbs.; Enclosed Cabinet: 38.6" x 31.5" x 33.4", Shipping weight: 178 lbs.
Power Requirements	90 - 130/180 - 260 V, 57 - 63/47 - 53 Hz (auto-ranging); Consumption: 150 Watts average
Environmental	Temperature range: 10°C to 40°C (operating); -20°C to 60°C (non-operating) Humidity: 10% to 90% non-condensing (operating); 5% to 95% non-condensing (non-operating)
Optional Interfaces	FourPlex I/O: Twinax, Coax, Serial and Parallel, IPDS for FourPlex LANPlex I/O: Ethernet (10Base-T/100Base-T), Serial and Parallel, IPDS for LANPlex Extended Parallel I/O: Dataproducts Standard, Dataproducts Long Lines FourPlex and LANPlex also available as factory configured models

* Available in Enhanced Mode.



T6050 Paper Path without Quick Access



T6050 Paper Path with Quick Access

Microsoft
CERTIFIED
Partner



BSEN ISO 9001: 1994
Certificate No. FM
28149

TallyGenicom

4500 Daly Drive, Suite 100
Chantilly, VA 20151

T 800.436.4266
www.tallygenicom.com

Tally and TallyGenicom are registered trademarks of TallyGenicom, L.P. All other company and product names are trademarks or registered trademarks of their respective owner. Specifications are subject to change without notice.